

# VENT PLUG

DA 084 | IP55



> High degree of protection (IP55)

> Easy to install

It has become increasingly important to provide a protected enclosure environment for valuable and crucial electrical and electronic components. In a tightly closed enclosure, pressure differentials can occur during extreme temperature variations, such as day/night operation. When this occurs, the risk of dust and humidity ingress into the control panel increases dramatically. The specially designed DA 084 vent plug permits a controlled change in pressure and can easily be installed in any enclosure. The vent plug is suitable for the use in enclosures and electrical cabinets in accordance with DIN EN 62208.

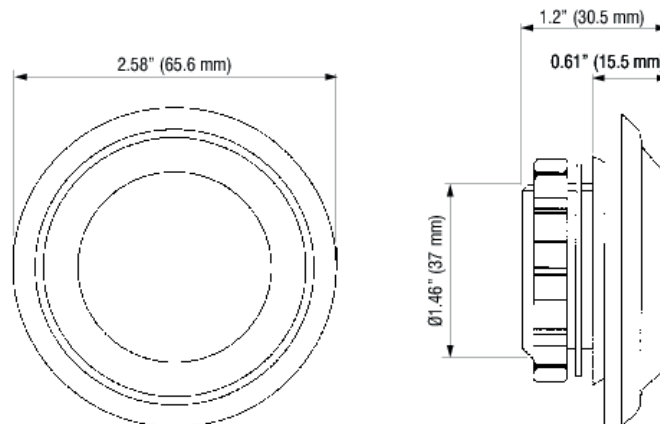


## TECHNICAL DATA

Mounting	PG 29 thread with union nut
Torque	5 Nm
Material	plastic, UL 94V-0, light grey weather proof and UV light resistant according to UL746C (f1)
Sealing	NBR gasket
Air Interface	Approx. 1.5 cm <sup>2</sup>
Dimensions	Ø 2.58" x 1.2" (Ø 65.5 x 30.5 mm)
Mounting position	vertical <sup>1</sup>
Operating / Storage temperature	-49 to +158 °F (-45 to +70 °C)
Approvals	EAC
Note	Material adheres to limit values in accordance with RoHS3

<sup>1</sup> Protection type is restricted to IP54 if mounting position is not vertical.

**Installation:** A hole with a diameter of 1.46" (37 mm) is required for mounting. Make sure that the sealing gasket is placed on the outer side panel of the enclosure. For optimal pressure compensation, it is recommended to use two devices on opposite sides towards the top of the enclosures.



Part No.	Protection type	1 packing unit	Weight (approx.)
08400.9-02-9002	IP55	2 pieces	1.1 oz. (31 g)