

# VENT PLUG

DA 284 | Type 1, 4 and 4X (IP66 / IP67)



Photo: DA 284, M40



Photo: DA 284, M12

- > UL Type 1, 4, 4X & IP66 protection
- > Waterproof membrane
- > Easy to install
- > Two sizes – M40 & M12

Pressure differentials in a hermetically sealed enclosure are a result of the heat generated by electrical and electronic components in the enclosure, as well as the fluctuation of the outside temperature. In the case of negative pressure or vacuum, for example, dust and humidity can enter the enclosure through the door seal. The DA 284 Vent Plug provides a protected enclosure environment for valuable and crucial components with a UL 4X rated degree of protection. A waterproof membrane inside the device allows air and humidity to leave the enclosure while not allowing moisture and dust from the outside to enter.

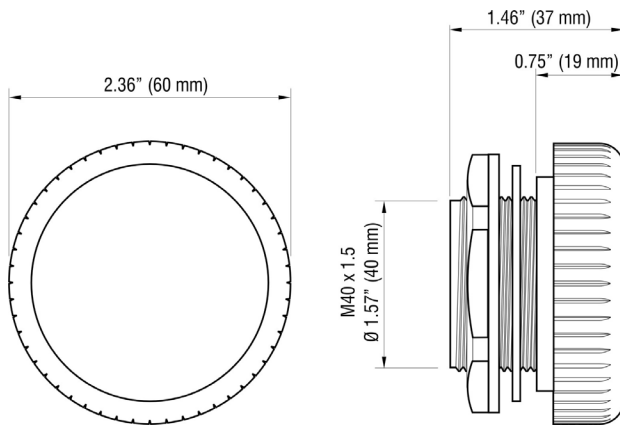


## TECHNICAL DATA

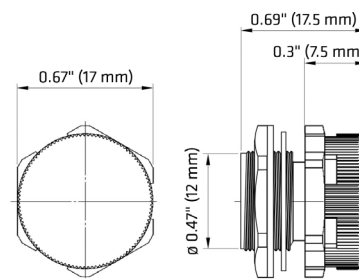
Mounting	thread with nut (see below)
Torque	5 Nm
Material	plastic according to UL 94V-0, light grey, weather and UV light resistant according to UL 746C (f1)
Sealing	NBR gasket
Filter	waterproof membrane
Operating / Storage temperature	-31 to +158 °F (-35 to 70 °C)
Approvals	UL File No. E234324, EAC
Note	Material adheres to limit values in accordance with RoHS3

## Installation

Make cut-out in enclosure wall of diameter 1.58 inches (40,5<sup>+0.5</sup> mm) for size M40 or 0.48 inches (12<sup>+0.2</sup> mm) for size M12, and mount vent plug with nut. Make sure that the sealing gasket is placed on the outer side of the enclosure. For optimal pressure compensation, it is recommended to use two devices on opposite sides towards the top of the enclosure.



Dimensional drawing: DA 284, M40



Dimensional drawing: DA 284, M12  
(drawing is not proportional to M40)

Part No.	Model	Thread length (depth in enclosure)	Environmental rating	Protection type (Europe)	Air permeability <sup>1</sup>	1 packing unit	Weight approx.
28405.0-00	M40 x 1.5	approx. 16 mm	NEMA Type 1, 4 and 4X	IP66 (EN 60529) / IPX9K (EN 40050-9)	1,200 liters/hr	2 pieces	3.2 oz. (90 g) total
28406.0-00	M12 x 1.5	approx. 10 mm	NEMA Type 1, 4 and 4X	IP67 (EN 60529) / IPX9K (EN 40050-9)	120 liters/hr	2 pieces	0.14 oz. (4 g) total

<sup>1</sup> at a pressure difference of min. 70 mbar