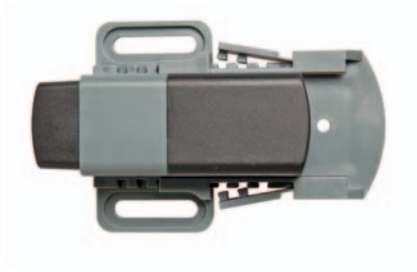


DOOR SWITCH

DS 013



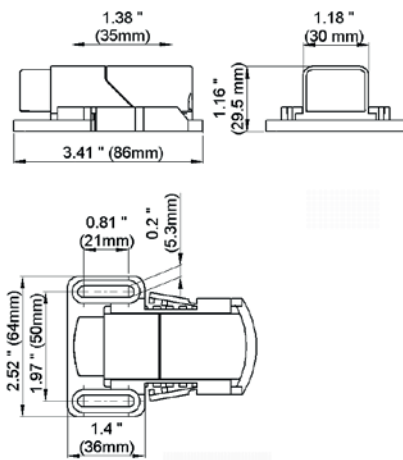
- > Tool-free adjustable switch positioning
- > Strain relief, suitable for range of cable diameters
- > High switching capacity
- > Suitable for lamp LED 025 and other devices

The door switch monitors the position of cabinet doors and is available in three versions. For example, it can be used for switching a light when opening a door (NC), or to activate a fan when closing a door (NO). The version with change-over contact (CO) can be used as a normally closed and/or normally open contact. The wide mechanical adjustment range of the door switch DS 013 offers versatile mounting: the housing is adjustable within a 1-3/8" (35 mm) range, while the screw flange with a slotted hole offers an additional 13/16" (21 mm). The travel of the switch itself is another 5/16" (8 mm).

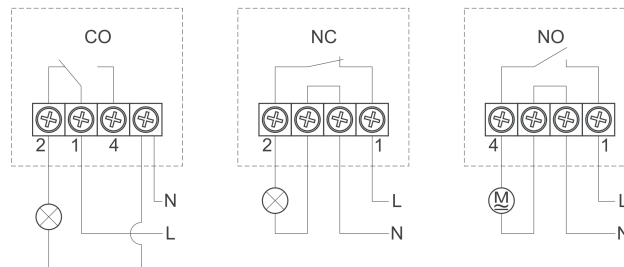


TECHNICAL DATA

| | |
|---------------------------------|--|
| Max. switching capacity | AC 250 V, 8 (1.5) A |
| Service life | VDE: > 10,000 cycles UL: > 6,000 cycles |
| Connection | 4-pole clamp with strain relief, clamping torque 0.5 Nm max. |
| Housing | plastic according to UL 94V-0, grey/black |
| Mounting | M5 screws (not included) |
| Mounting position | variable |
| Operating / Storage temperature | -4 to +185 °F (-20 to +85 °C) |
| Operating / Storage humidity | max. 90 %RH (non-condensing) |
| Dimensions | 3.4 x 2.5 x 1.2" (87 x 64 x 30 mm) |
| Weight | approx. 1.8 oz. (50 g) |
| Protection type | IP20 |
| Approvals | UL + VDE intended |



Wiring diagrams



| Part No. | Model | Suitable wire |
|------------|----------------------|--|
| 01350.0-00 | change-over (CO) | Round cable, stranded wire (with wire end ferrule) AWG 18 to 17 (0.75 mm ² to 1 mm ²) |
| 01351.0-00 | normally closed (NC) | Round cable, stranded wire (with wire end ferrule) AWG 18 to 16 (0.75 mm ² to 1.5 mm ²) |
| 01352.0-00 | normally open (NO) | Round cable, stranded wire (with wire end ferrule) AWG 18 to 16 (0.75 mm ² to 1.5 mm ²) |