

FAN HEATER

HGL 046 | 250 W, 400 W



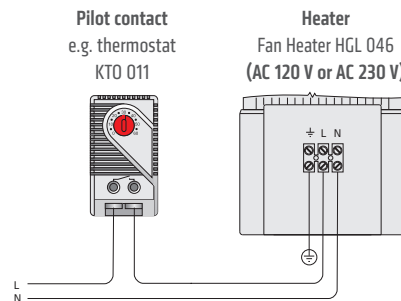
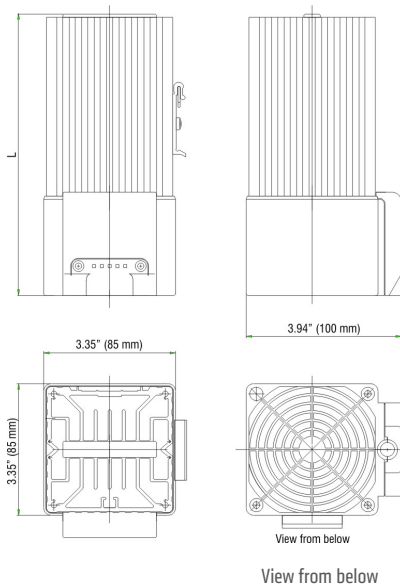
- > Compact size
- > Built-in overheat protection
- > Long service life
- > DIN rail mountable

The compact HGL 046 fan heater prevents formation of condensation. The integrated high performance axial fan provides forced air circulation and so guarantees an even temperature in enclosures. The heater is wired using the internal terminal connectors.



TECHNICAL DATA

Heating element	resistance – micanite
Overheat protection	built-in temperature limiter
Heater body	extruded aluminum, anodized
Surface temperature	400 W heater – max. 167 °F (75 °C)
Axial fan, ball bearing	service life 50,000 h at 77 °F (25 °C)
Air flow, free blowing	AC: 26 cfm (45 m ³ /h) – 50 Hz; 32 cfm (54 m ³ /h) – 60 Hz DC: 32 cfm (54 m ³ /h)
Connection	3-pole terminal AWG 16 max. (1.5 mm ²) with strain relief, clamping torque 0.8 Nm max.
Connection housing	plastic, UL 94V-0, black
Mounting	clip for 35 mm DIN rail, EN 60715
Mounting position	vertical
Operating / Storage temperature	-49 to +158 °F (-45 to +70 °C)
Operating / Storage humidity	max. 90 % RH (non-condensing)
Protection class / Protection type	I (grounded) / IP20
Note	other voltages available upon request



Part No.	Operating voltage	Heating capacity	Recommended pre-fuse T (time-delay)	Length (L)	Weight (approx.)	Approvals		
04640.0-00	AC 230 V, 50/60 Hz	250 W	2.0 A	7.2" (182 mm)	2.4 lbs. (1.1 kg)	UL File No. E234324	VDE	EAC
04640.9-00	AC 120 V, 50/60 Hz	250 W	4.0 A	7.2" (182 mm)	2.4 lbs. (1.1 kg)	UL File No. E234324	VDE	EAC
04641.0-00	AC 230 V, 50/60 Hz	400 W	4.0 A	8.7" (222 mm)	3.1 lbs. (1.4 kg)	UL File No. E234324	VDE	EAC
04641.9-00	AC 120 V, 50/60 Hz	400 W	6.3 A	8.7" (222 mm)	3.1 lbs. (1.4 kg)	UL File No. E234324	VDE	EAC