

STEGOJET

SJ 019



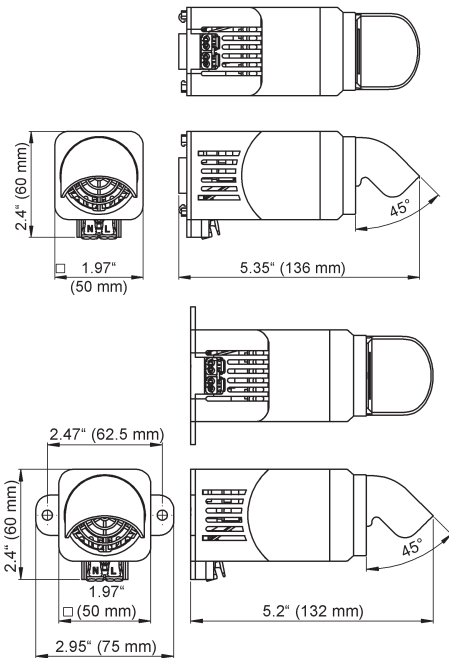
- > Prevents heat pockets
- > Wide voltage range
- > Compact design
- > Quick connection
- > Clip or screw mounting

The STEGOJET is a compact, powerful built-in fan. It allows precise cooling of heat sources and the air flow prevents formation of heat pockets. Its design offers a maximum rotation range with an air output in almost any direction. The dual clip system (two clips at a 90° angle) allows four different positions on a DIN rail, while the hinge in the housing can be moved at a 40° angle. The airflow at the air outlet can also be directed in a 45° angle and the air duct can be rotated in steps of 60°.

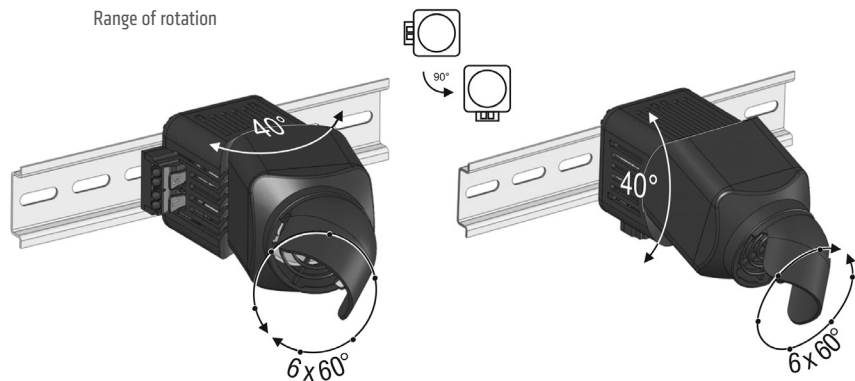


TECHNICAL DATA

Axial fan, ball bearing	air flow 16.2 cfm (27.6 m ³ /h), free flow service life 40,000 h at 140 °F (60 °C) and 90 % RH
Power consumption	4 W
Average noise level (DIN EN ISO 4871)	44 dB (A)
Connection	2-pole dual cage clamp for solid wire – AWG 14 (2.5 mm ²), stranded wire (w/ wire end ferrule) – AWG 16 (1.5 mm ²)
Housing	plastic, UL 94V-0, black
Mounting	clip for 35 mm DIN rail, EN 60715 or with M5 screws and washers (not included), torque 2 Nm max.
Mounting position	variable
Dimensions	5.2 x 2.95 x 2.4" (132 x 75 x 60 mm)
Weight	approx. 7 oz. (0.2 kg)
Operating / Storage temperature	+14 to +140 °F (-10 to +60 °C) / -22 to +158 °F (-30 to +70 °C)
Operating / Storage humidity	max. 90 % RH (non-condensing)
Protection type	IP20



Range of rotation



Part No.	Model	Operating voltage	Protection class	Approvals		
01925.0-00	DIN rail mounting	AC 100 – 240 V, 50/60 Hz (min. AC 90 V, max. AC 265 V)	II (double insulated)	UL File No. E234324	VDE	EAC
01925.0-01	Screw mounting	AC 100 – 240 V, 50/60 Hz (min. AC 90 V, max. AC 265 V)	II (double insulated)	UL File No. E234324	VDE	EAC
01925.1-00	DIN rail mounting	DC 24 V (min. DC 12 V, max. DC 26.4 V)	III (double insulated)	–	VDE	EAC
01925.1-01	Screw mounting	DC 24 V (min. DC 12 V, max. DC 26.4 V)	III (double insulated)	–	VDE	EAC